

ASDi Refrigerated Air Screen Display Drop In

MODEL

<input type="checkbox"/> CM-SC Self Contained	<input type="checkbox"/> CM-RM Remote	<input type="checkbox"/> CM-GL Glycol
---	---	---



REAR ACCESS DOORS

INCLUDED FEATURES

- SELF CONTAINED UNIT WITH 8 FT CORD
- REFRIGERATED RECIRCULATING AIR FLOW
- STAINLESS STEEL CONSTRUCTION
- DUAL TEMP MONITORING
- DIGITAL THERMOMETER
- TWO STAINLESS STEEL ADJUSTABLE SHELVES
- ENERGY EFFICIENT LED CANOPY LIGHT
- PULL DOWN ENERGY EFFICIENT NIGHT CURTAIN
- DIGITAL DEFROST CONTROLS
- CURVED TOP CANOPY
- ENVIRONMENTALLY SAFE REFRIGERANT
- 1 YEAR PARTS AND LABOR
- GLASS VISION END PANELS
- MANUFACTURED IN THE USA
WITH READILY AVAILABLE REPLACEMENT PARTS
- FLOOR DRAIN REQUIRED IF CONDENSATE
EVAPORATOR NOT USED
- COMPRESSOR AND HOOKUPS BY OTHERS FOR
MODEL # CM-RM & CM-GL
- UL 471 AND NSF 7 STANDARDS

OPTIONAL FEATURES

- REAR ACCESS DOORS
 - CMD-SC Self Contained with Rear Access Doors
 - CMD-RM Remote Refrigerated with Rear Access Doors
 - CMD-GL Glycol with Rear Access Doors
- CM-SC-TV THERMO VAP SYSTEM- SELF CONTAINED: EXCLUSIVE THERMO-VAP SYSTEM EXHAUSTS HOT AIR AND CONDENSATE. NO FRONT BREATHING OR REAR BREATHING NECESSARY. NO LOUVER REQUIRED- SOUND LEVEL REDUCED SIGNIFICANTLY. A MINIMUM OF 18" CLEARANCE NEEDED ABOVE DISCHARGE
 - CMD-SC-TV- THERMO-VAP UNIT WITH REAR ACCESS DOORS
- ADDITIONAL SHELF
- GLASS SHELVES IN LIEU OF S/S
- WIRE SHELVES
 - CHROME
 - WHITE
 - BLACK
- MIRROR FINISHED SHELVES
- SHELF LIGHTS
- GRAVITY FEED SHELVING
- MIRRORED INTERIOR SIDES
- CONDENSATE EVAPORATOR (SEE BELOW)
- REMOVABLE LOCKING SECURITY PANELS
- LAMINATED EXTERIOR
- POWDER COATED EXTERIOR- COLOR _____
- POWDER COATED INTERIOR- COLOR _____
- STAINLESS STEEL EXTERIOR FINISH-
- SOLID ENDS
- 5 YR COMPRESSOR WARRANTY FOR SELF CONTAINED UNITS
- ADJUSTABLE LEGS (CONSULT FACTORY FOR SIZES)
- ROLL DOWN LOCKING SECURITY GATE- ADD 6" TO HEIGHT
- OPTIONAL HEIGHT- 28"
- OPTIONAL HEIGHT 21"

SPECIFICATIONS- Self-Contained

*Overall dimensions include flanges

Same for Thermo Vap System and Unit with Rear Access Doors

MODEL#	L	W	HP	VOLTS	AMPS	NEMA PLUG	CUT OUT SIZE	WT LBS
CM-SC-36	36"	27"	1/2	120	20.3	L5-30P	36 1/2" X 25 1/2"	365
CM-SC-48	48"	27"	3/4	120/208-1	16.7	L14-30P	48 1/2" X 25 1/2"	450
CM-SC-60	60"	27"	1	120/208-1	19.2	L14-30P	60 1/2" X 25 1/2"	565
CM-SC-72	72"	27"	1-1/2	120/208-1	23.2	L14-30P	72 1/2" X 25 1/2"	655

SPECIFICATIONS- Remote

*Overall dimensions include flanges

Same for Unit with Rear Access Doors

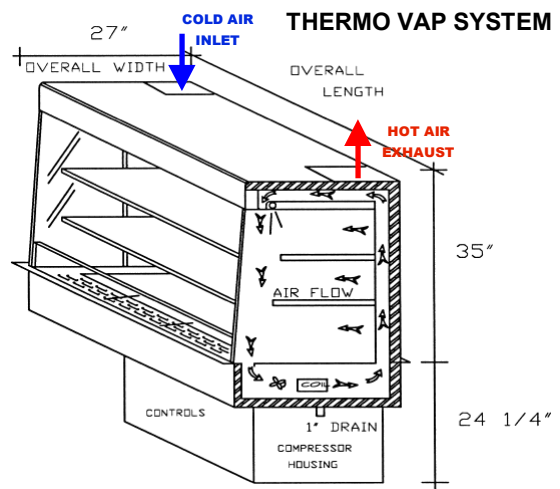
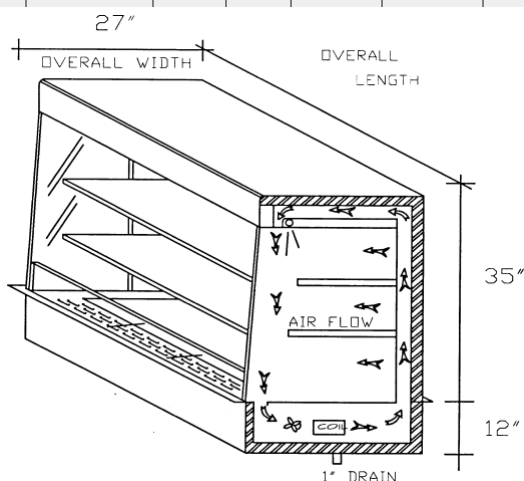
MODEL#	L	W	BTU @ 20F	VOLTS	AMPS	NEMA PLUG	CUT OUT SIZE	WT LBS	REFRIG
CM-RM-36	36"	27"	4500	120	10.5	L5-15P	36 1/2" X 25 1/2"	315	VERIFY
CM-RM-48	48"	27"	7500	120	11.0	L5-15P	48 1/2" X 25 1/2"	400	VERIFY
CM-RM-60	60"	27"	10000	120	11.0	L5-15P	60 1/2" X 25 1/2"	515	VERIFY
CM-RM-72	72"	27"	12500	120	11.7	L5-15P	72 1/2" X 25 1/2"	615	VERIFY

SPECIFICATIONS- Glycol

*Overall dimensions include flanges

Same for Unit with Rear Access Doors

MODEL#	L	W	BTU @ 20F	VOLTS	AMPS	NEMA PLUG	CUT OUT SIZE	WT LBS	GPM	REFRIG
CM-GL-36	36"	27"	4500	120	10.5	L5-15P	36 1/2" X 25 1/2"	315	1.3	GLYCOL
CM-GL-48	48"	27"	7500	120	11.0	L5-15P	48 1/2" X 25 1/2"	400	2.1	GLYCOL
CM-GL-60	60"	27"	10000	120	11.0	L5-15P	60 1/2" X 25 1/2"	515	2.7	GLYCOL
CM-GL-72	72"	27"	12500	120	11.7	L5-15P	72 1/2" X 25 1/2"	615	3.2	GLYCOL



OPTIONAL CONDENSATE EVAPORATOR

* Amperage already added to above specifications

FOR PEAK PERFORMANCE THESE UNITS HAVE BEEN DESIGNED FOR AREAS WITH TEMPERATURES OF 75 DEGREES OR LESS AND A RELATIVE HUMIDITY OF 55 PERCENT OR LESS. DO NOT LOCATE NEAR RAPID AIR CURRENTS OR EXTREME TEMPERATURE CHANGES. PROVIDE ADEQUATE VENTILATION FOR COMPRESSOR. WE RESERVE THE RIGHT TO CHANGE SPECIFICATIONS WITHOUT NOTICE.